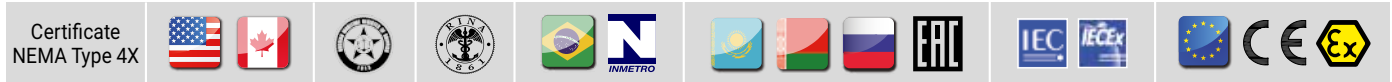




GUB Enclosures

Installation: hazardous areas - Zone 1 / 2 (Gases) - Zone 21 / 22 (Dusts)

Classification: Group II - Category 2G 2D



REFERENCE STANDARDS

Directive 94/9/EC (until April 19th, 2016) and Directive 2014/34/EU (from April 20th, 2016)

EXECUTION	<ul style="list-style-type: none"> ⊗ II 2 G Ex d IIC T6...T3 ⊗ II 2(1) GD Ex d [ia/ib IIA or IIB or IIC Ga] IIC T6...T3 ⊗ II 2 D Ex tb IIIC T85°C...T200°C ⊗ II 2 D Ex tb [ia Da/ib] IIIC T85°C
RULES OF COMPLIANCE	EN/IEC 60079-0; EN/IEC 60079-1; EN/IEC 60079-11; EN/IEC 60079-31
EC Type-Examination Certificate	INERIS 13 ATEX 0021X
PROTECTION DEGREE	IP66
AMBIENT TEMPERATURE	-60°C ÷ +80°C
OTHER AVAILABLE CERTIFICATES	Component: INERIS 13 ATEX 9018U IECEx: IECEx INE13.0069X Component: IECEx INE 13.0082U INMETRO: CEPEL 12 2141 EAC: TC RU C-IT.Γ508.B.01499 RINA: ELE18111CS_017 RUSSIAN MARINE CERTIFICATE (RMRS): 13.03518.315 UL NEC-505: 20141112-E465037 - Type rating NEMA 1, 12, 4 and 4X

Mechanical characteristics

Body	marine grade copper free aluminium light alloy
Cover	marine grade copper free aluminium light alloy
Screws	stainless steel
Internal plate	hot dip galvanized steel / aluminium
Fixing	fixing lugs AL UNI 4514 casting on enclosure body

On request accessories:

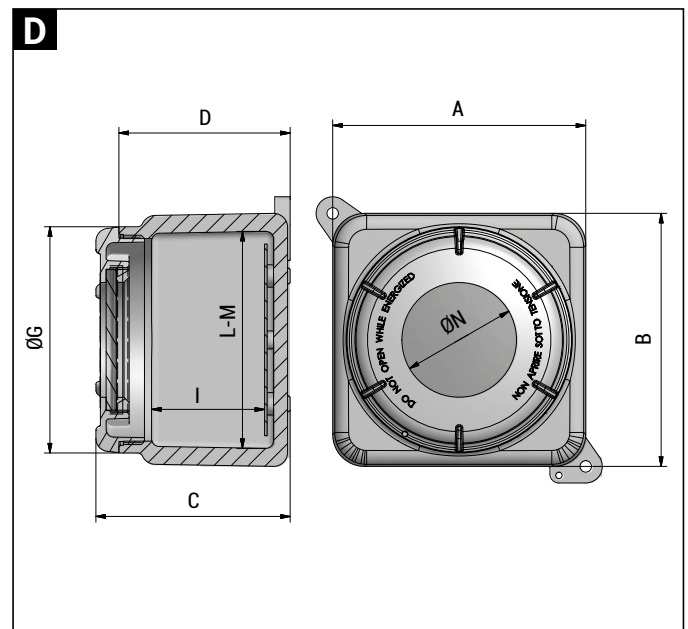
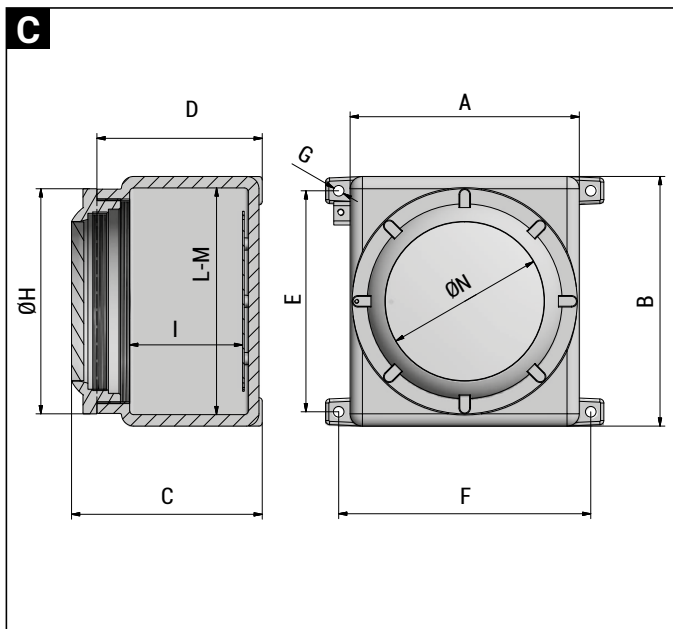
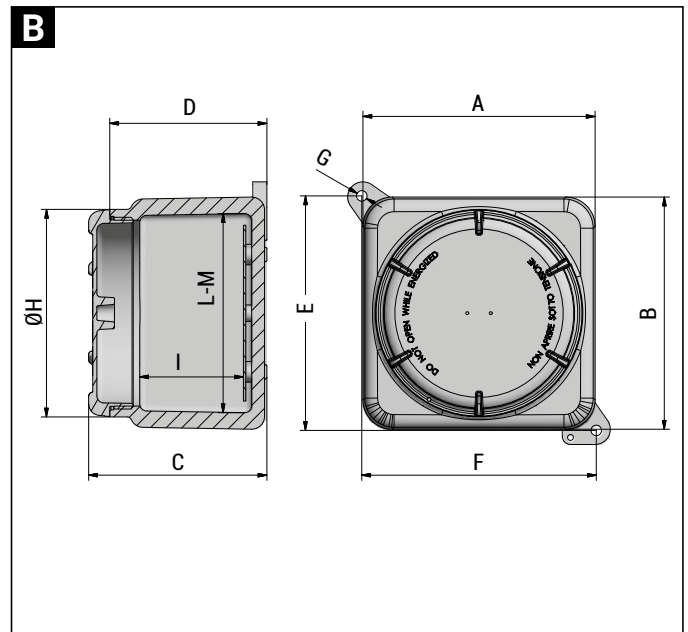
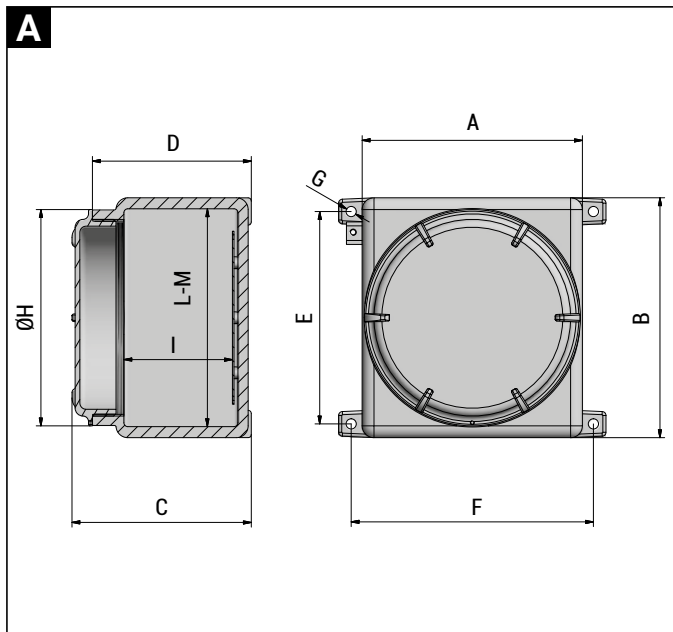
- External epoxy painting with colour on request
- Internal anticondensate painting orange RAL-2004
- O-Ring gaskets on cover
- Glass windows on cover
- Drain and breather valves
- Galvanized steel body & cover
- Cast iron body & cover



GUB Technical features

CODE	A [mm]	B [mm]	C [mm]	D [mm]	E [mm]	F [mm]	Ø G [mm]	H [mm]	I [mm]	L [mm]	M [mm]	Ø N [mm]	INT.PLATE X - Y [mm]	WEIGHT [Kg]	DETAIL
GUE1	135	135	111	96	110	150	7	113	50	110	110	-	Ø90	2,00	B
GUB0	168	168	145	125	172	172	9	154	97	137	137	-	110 - 110	4,00	B
GUB1	198	198	152	134	200	200	9	176	88	170	170	-	150 - 150	5,00	B
GUB03	280	305	228	202	270	308	13	275	133	248	270	-	220 - 200	13,50	A
GUB23	270	310	174	152	315	275	12	244	100	243	283	-	180 - 180	9,80	B
GUB4	420	420	281	230	380	460	14	410	147	384	384	-	280 - 280	31,70	A
GUB5	600	600	382	313	545	460	14	580	208	550	550	-	490 - 490	105,60	A
GUBW1	198	198	152	134	200	200	9	176	88	170	170	90	150 - 150	5,10	D
GUBW03	280	305	228	202	270	308	13	275	133	248	270	195	220 - 200	14,20	C
GUBW23	270	310	174	152	315	275	12	244	100	243	283	150	180 - 180	10,30	D
GUBW4	420	420	281	230	380	460	14	410	147	384	384	230	280 - 280	30,00	C

Reference details





GUB Body Enclosures Drilling Layout

ENCLOSURE CODE	DRILLING AREA A-B [mm]	QUANTITY ALLOWED ENTRIES FOR size (from 1 to size 8)							
		1	2	3	4	5	6	7	8
GUE1	102x50	2	1	1	1	/	/	/	/
GUB0	128x80	6	3	2	2	1	1	1	/
GUB1	148x87	6	3	3	2	2	1	1	/
GUB03	263x120	15	11	9	8	6	4	2	2
GUB23	270x97	11	10	8	6	4	3	2	/
GUB4	350x140	23	18	14	11	10	7	4	3
GUB5	550x195	45	36	27	24	18	12	6	3
GUBW1	148x87	6	3	3	2	2	1	1	/
GUBW03	263x120	15	11	9	8	6	4	2	2
GUBW23	270x97	11	10	8	6	4	3	2	/
GUBW4	350x140	23	18	14	11	10	7	4	3

DRILLING AREA C-D [mm]	QUANTITY ALLOWED ENTRIES FOR size (from 1 to size 8)							
	1	2	3	4	5	6	7	8
102x50	2	1	1	1	/	/	/	/
128x80	6	3	2	2	1	1	1	/
148x87	6	3	3	2	2	1	1	/
238x120	12	9	8	6	6	3	2	2
230x97	9	8	8	5	3	3	2	/
350x140	23	18	14	11	10	7	4	3
550x195	45	36	27	24	18	12	6	3
148x87	6	3	3	2	2	1	1	/
238x120	12	9	8	6	6	3	2	2
230x97	9	8	8	5	3	3	2	/
350x140	23	18	14	11	10	7	4	3

Reference details

